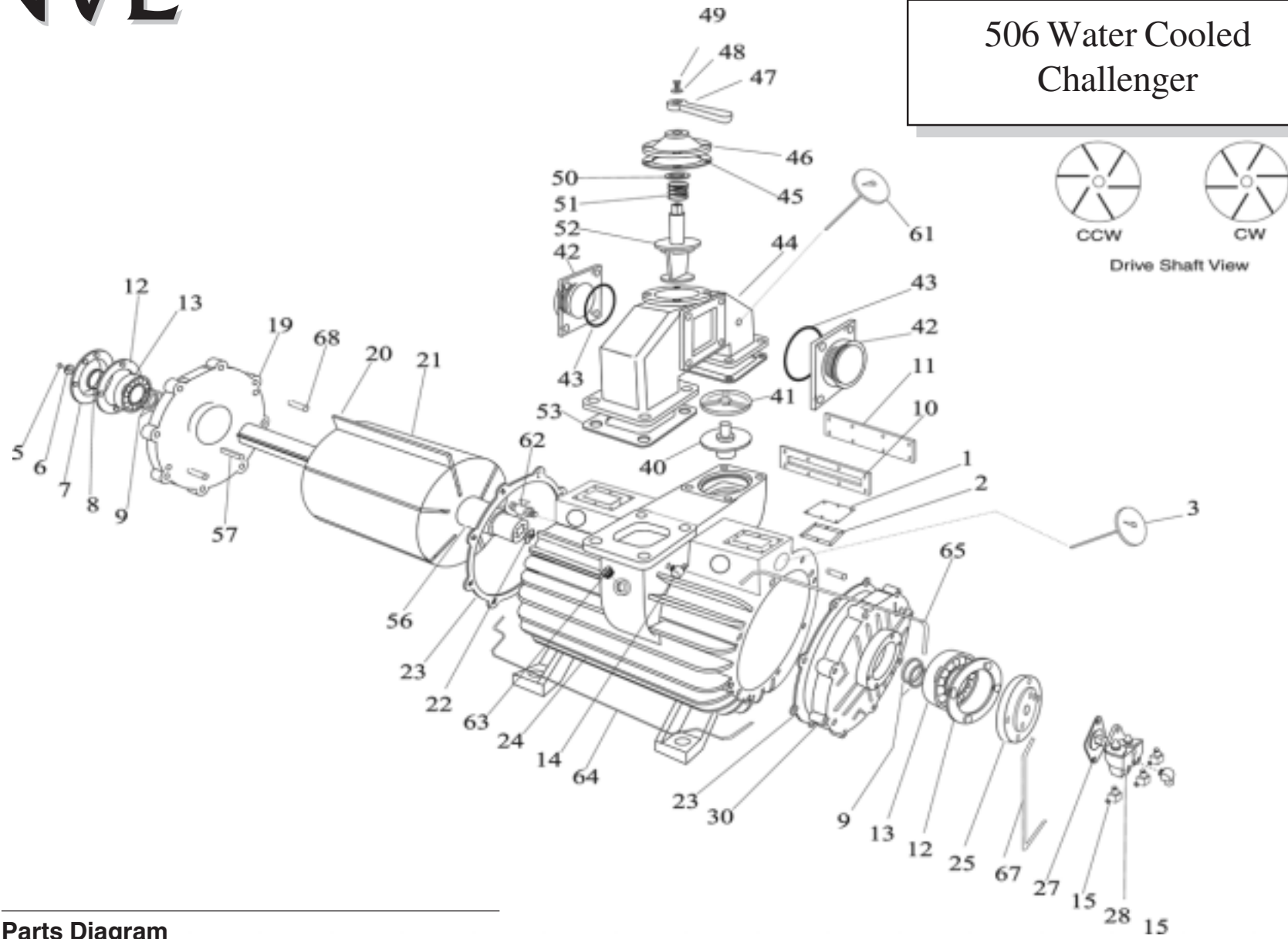


NVE NATIONAL VACUUM EQUIPMENT, INC.

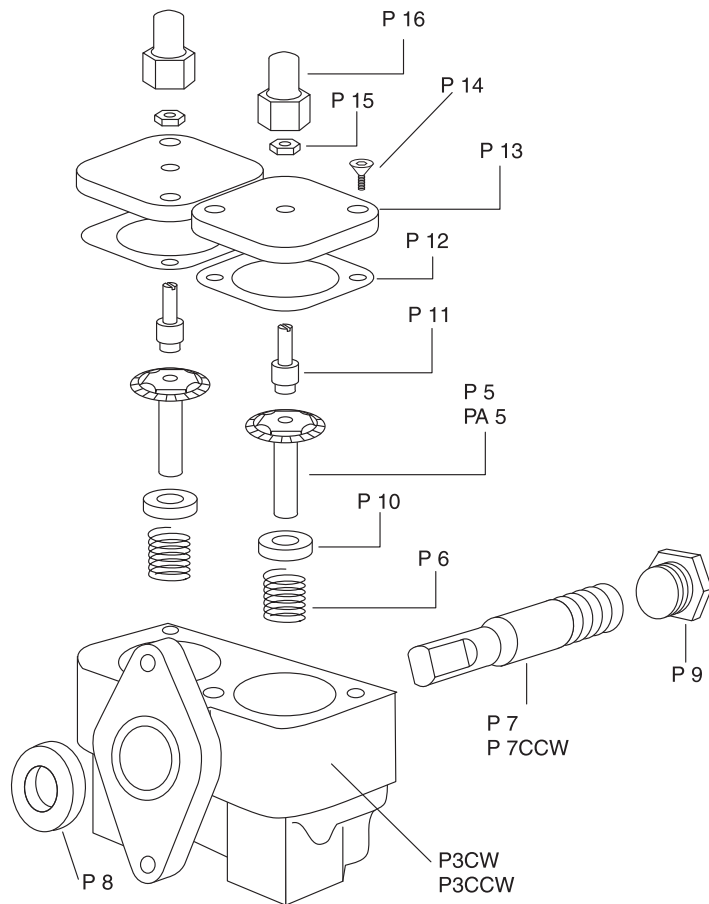
506 Water Cooled
Challenger



Parts Diagram

Detail - Key # 26
Automatic Oil Pump
 Three Outlet Type

Part # LW32AD Clockwise
 Part # LW32AS Counterclockwise



Parts List – Automatic Oil Pump

See Parts Diagram opposite.

Part #	Description
P 3CW	Pump Body (Clockwise)
P 3CCW	Pump Body (Counterclockwise)
P 5	Driven Gear (Clockwise)
PA 5	Driven Gear (Counterclockwise)
P 6	Spring
P 7	Driving Gear (Clockwise)
P 7CCW	Driving Gear (Counterclockwise)
P 8	Seal
P 9	Plug
P 10	Retainer
P 11	Adjusting Screw
P 12	Gasket
P 13	Lid
P 14	Screw
P 15	Jam Nut
P 16	Cap