



Vehicle Suspension Information

FORM # 3130018

Side 1 of 1

The following information and measurements are required in order to determine if the vehicle can be fit with Onspots, and, if so, which Model Onspot Chain Set and Mounting Bracket Kit is required. This information will be different from vehicle to vehicle based on vehicle make/model, axle make/model, tire size and wheel offset. Any questions in completing this form can be addressed to Onspot at 800-224-2467.

Dealer or OEM name: _____

Customer name: _____ Ref. Unit _____

Address: _____

City: _____ State: _____ Zip: _____

Contact: _____ Phone Number: _____

Quantity of identical vehicles for this order: _____

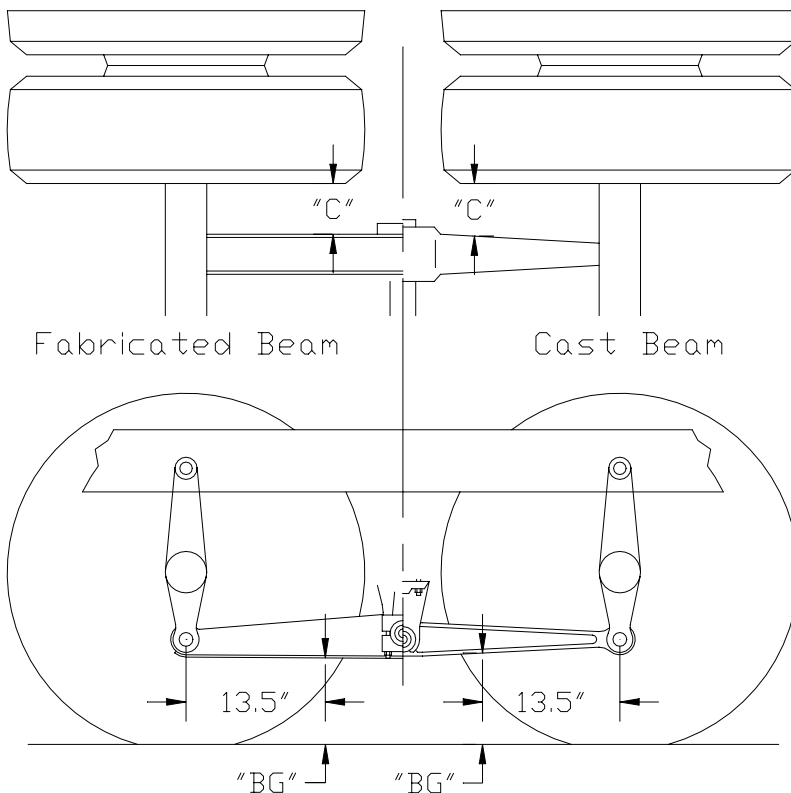
Description: (Fire Truck, Municipal Truck, etc.): _____

Vehicle Make: _____ Model: _____ Year: _____

Note: The following information applies to the rear suspension only.

Axle Make: _____ Capacity: _____

Tire size: _____ Brand: _____



Side of Beam to Tire Sidewall

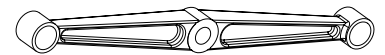
C = _____

Bottom of beam to ground 13 1/2" from center of axle

BG = _____

Indicate Beam Type:

Cast



Fabricated



HAULMAAX

