

10CC

TANDEM AXLE EQUIPMENT TRAILER

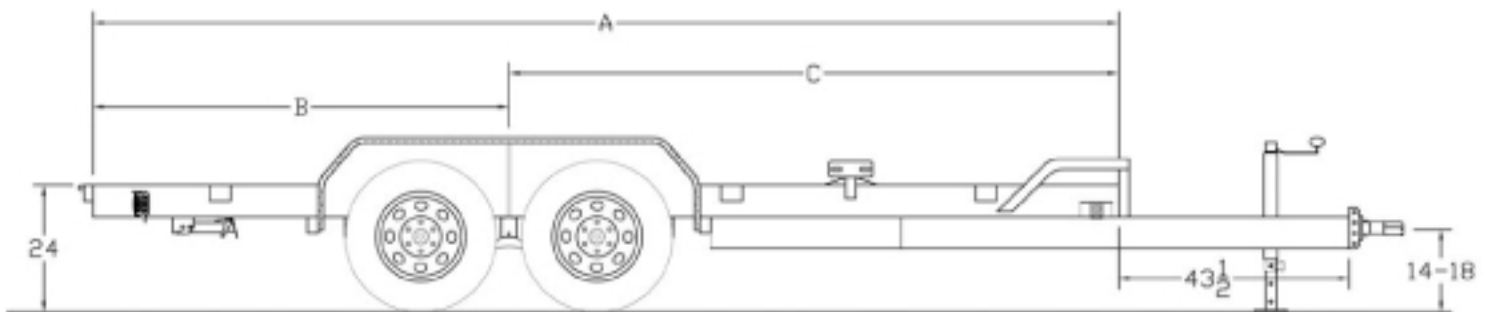
G.V.W.R. 9,990#	AXLES Two 5200# EZ LUBE w/ Electric Brakes
G.A.W.R. (Ea. Axle) 5,080#	SUSPENSION Multi-Leaf Spring w/ Equalizer
COUPLER Adjustable 2-5/16"	TIRE ST225/75-15 Load Range D
SAFETY CHAINS 1/4" Grd. 70 w/ Safety Latch Hook (2 ea.)	WHEEL 15 X 6 White Spoke 6 Bolt
JACK 7000# Top Wind Drop Leg	FLOOR 2" Pine
TONGUE 6" Channel Fold-Back	LIGHTS D.O.T. Stop, Tail, Turn and Clearance
TOP RAIL (none)	ELEC. PLUG 7-Way RV
FRAME 6" Channel	FINISH (PREP) Acid Etched w/White Phosphorus, Undercoated w/Panther 813 & Two Coats Primer
CROSSMEMBERS 3" Channel	FINISH Painted w/ 2 Coats High Solid <i>Supreme</i> Acrylic Automotive Grade Enamel, and Pinstriped
UPRIGHTS (none)	
FENDERS 9" X 72" Diamond Plate w/ Back	

STANDARD FEATURES

- Two 5200# Axles w/ Electric Brakes
- Complete Break-A-Way System w/ Charger
- 2-5/16" Adjustable Coupler
- Cambered Ez Lube Axles
- Spare Mount
- Safety Chains Attached w/ Cold Rolled Eyelets
- Floor Secured w/ 5/16" Torx Screws
- 2" Tubular Stop Rail
- Reflective Marker Tape
- 5' Slide In Ramps (Channel)
- Tie Down Pockets - Sides & Rear
- Fold Back Tongue
- Rear Stabilizer Stands

10CC

DIMENSIONS			
LENGTH	A	B	C
16'	193-1/2"	78-1/2"	115"
18'	217-1/2"	90-1/2"	127"



PRICING

MODEL #	WEIGHT	DESCRIPTION
10CC-16	2300#	83" X 16' Tandem Axle Equipment Trailer
10CC-18	2450#	83" X 18' Tandem Axle Equipment Trailer

OPTIONS

15" Spare Tire & Wheel - Load Range D	
---------------------------------------	--

(STD. MODEL - NO OTHER OPTIONS AVAILABLE)