

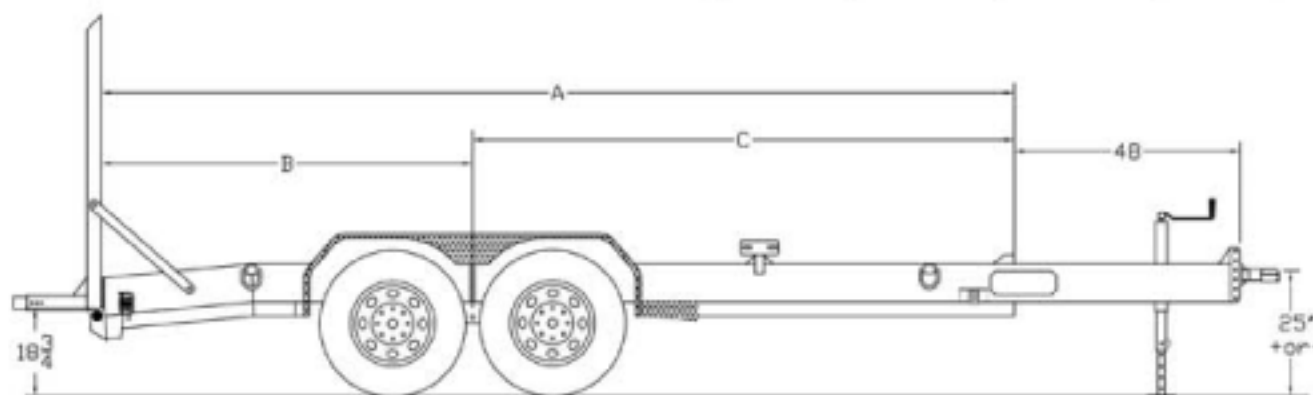
TANDEM AXLE EQUIPMENT TRAILER

G.V.W.R.	12,000#	AXLES	Two 6,000# EZ LUBE w/ Elec. Brakes
G.A.W.R. (Bk. Axle)	6,000#	SUSPENSION	Multi-Leaf Slipper Spring w/ Equalizer
COUPLER	Adjustable 2-5/16" Bulldog	TIRE	ST235/85 16" Load Range E
SAFETY CHAINS	3/4" Grd. 70 w/ Safety Latch Hook (2 ea.)	WHEEL	16 X 6 White Spoke 8 Bolt
JACK	7K Top Wind Jack (Bolted On)	FLOOR	2" Pine
TONGUE	Integral With Frame	LIGHTS	D.O.T. Stop, Tail, Turn and Clearance
TOP RAIL	(none)	ELEC. PLUG	7-Way RV
FRAME	8" Channel	FINISH (PINT)	Acid Etched w/White Phosphorus, Undercoated w/Panther 813 & Two Coats Primer
CROSSMEMBERS	3" Channel	FINISH	Painted w/2 Coats High Solid Supreme Acrylic Automotive Grade Enamel, and Pinstriped
FENDERS	9" X 72" Double Square Brake, Diamond Plate Teardrop w/ Back		

- Two 6,000# Axles w/2 Electric Brakes
- Complete Break-A-Way System w/ Charger
- 7K Drop Leg Jack (Bolted On)
- Adjustable Coupler in Channel
- Expanded Metal in Bottom of Tongue
- Cambered Ez Lube Axles
- Safety Chains Attached w/ Cold Rolled Eyelets
- Spare Mount Curb Side
- Floor Secured w/ 5/16" Torx Screws
- Two 5' Fold Up Ramps w/ Support Leg
- Four D-Rings, 2 per Side
- Reflective Marker Tape
- 32" Dove Tail

12EQ-16

DIMENSIONS			
LENGTH	A	B	C
14'	170"	67"	103"
16'	194"	79"	115"
18'	218"	91"	127"



PRICING

MODEL #	WEIGHT	DESCRIPTION	PRICE
12EQ-14	2580#	83" X 14' Tandem Axle Equipment Trailer	
12EQ-16	2830#	83" X 16' Tandem Axle Equipment Trailer	
12EQ-18	2890#	83" X 18' Tandem Axle Equipment Trailer	

OPTIONS

Hydraulic Brakes On 2 Axles w/ Adjustable Demco Actuator	
16" Spare Tire & Wheel	
1/8" Diamond Plate Steel Floor (Per Sq. Ft.)	
12K Heavy Duty Drop Leg Jack (Top Wind)	
Adjustable Pintle In Channel	
Extra 5/8" D-Rings (Each)	

Prices Effective August 1, 2006

©2006 Copyright by Big Bear Trailer Manufacturing, Inc.