

35MC-10

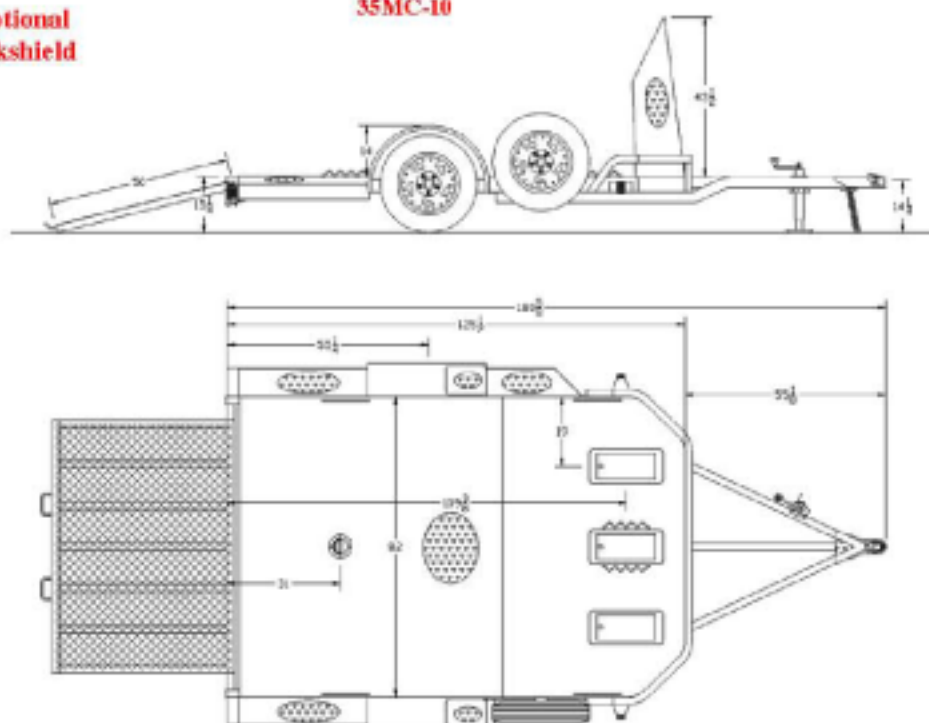
SINGLE AXLE MOTOR CYCLE TRAILER

G.V.W.R.	2,995#	AXLE	3500# EZ LUBE Torflex w/ Brake Flanges
G.A.W.R.	3,500#	SUSPENSION	Torsion
COUPLER	2" A-Frame	TIRE	ST205/75D15 Load Range C
SAFETY CHAINS	1/4" Grd. 30 w/ Safety Latch Hook (2 ea.)	WHEEL	15 X 6 5-Bolt Chrome
JACK	2000# Top Wind Fold Up	FLOOR	1/8" Diamond Plate
TONGUE	2 X 3 Tube Cold Formed	LIGHTS	D.O.T Stop, Tail, Turn and Clearance
FRAME	2" X 4" Tube	ELEC. PLUG	4-Way Flat w/ Loom
CROSSMEMBERS	2" X 3" Angle	FINISH (PREP)	Acid Etched w/White Phosphorus, Undercoated w/Panther 813 & Two Coats Primer
FENDERS	9" X 32" Rolled Formed w/ Backs	FINISH	Painted w/ 2 Coats High Solid <i>Supreme</i> Acrylic Automotive Grade Enamel, and Pinstriped
SPARE	ST205/75D15 LR-C on Chrome Wheel		

- 3500# Torflex Axle w/ Brake Flanges for Easy Brake Addition
- Spare and Spare Mount
- 1/8" Diamond Plate Floor
- Ez Lube Axle
- Front & Rear Running Boards w/Aluminum TreadBrite Inserts
- Aluminum TreadBrite Rock Shields on Fenders
- 3 each 6-5/8" Wide Flip-Up Wheel Chocks
- 50" x 69" Pull-Out Tubular Ramp w/Expanded Metal
- 4 Outer Tie Down Rails w/Center D-Ring
- Chrome Wheels w/ Chrome Caps & Lugnuts

**Shown with Optional
Aluminum Rockshield**

35MC-10



PRICING

MODEL #	WEIGHT	DESCRIPTION	PRICE
35MC-10	1281#	82" X 10' Single Axle Trailer	

OPTIONS

Aluminum TreadBrite Front RockShield	
Aluminum TreadBrite V-shape Tool Box	
Electric Brakes on one Axle (Includes: Complete Breakaway System) w/Charger	

Prices Effective August 1, 2006

© 2006 Copyright by Big Tex Trailer Manufacturing, Inc.